

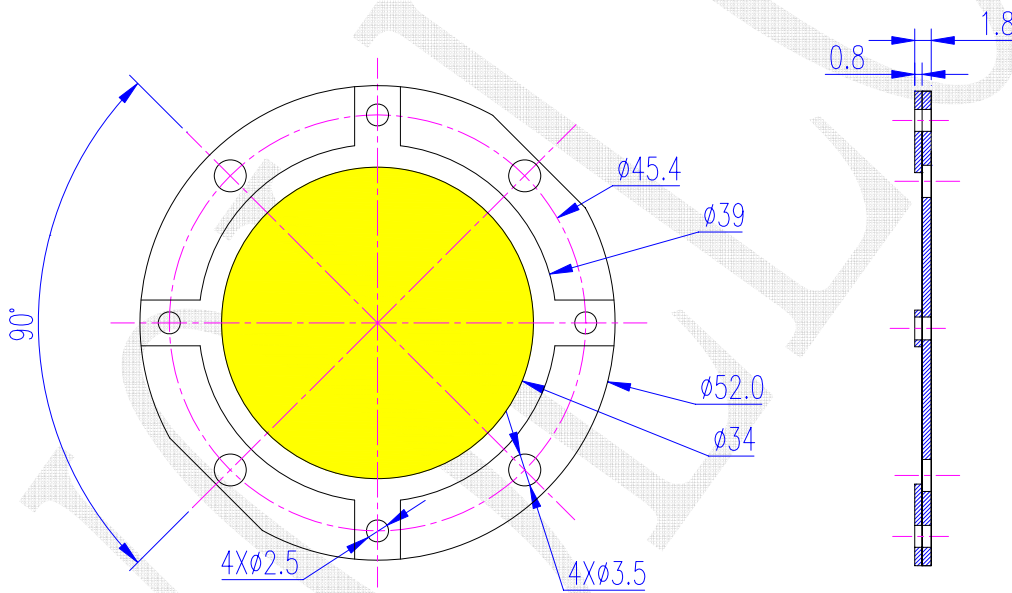


**PRODUCT SPECIFICATION**

**※ Features:**

- ◇ More Energy Efficient than incandescent and most halogen lamps
- ◇ Long operating life
- ◇ Low forward voltage operated
- ◇ Instant light (less than 100ns)
- ◇ No UV

**※ Outline Dimensions**



REVISION	ECN/ECR INFORMATION	TITLE:	SHEET No.
<b>A</b>	ECN NO. DATE	10W White Round Planar LED	1 of 3
P/N#: VL-H02W5501080R52	CREATED By	CHECKED By	APPROVED BY



## PRODUCT SPECIFICATION

### ※ Absolute Maximum Ratings at Ta=25°C:

Parameter	Symbol	Maximum	Unit
Power Dissipation	Pd	10	W
Peak Forward Current (1/10 Duty Cycle, 0.1ms Pulse Width)	IF(peak)	600	mA
Continuous Forward Current	IF	500	mA
LED junction temperature	JT	120	°C
Reverse Voltage	VR	5	V
Operating temperature range	Topr	-20°C to + 80°C	
Storage Temperature Range	Tstg	-30°C to + 100°C	

### ※ Electrical/Optical Characteristics at Ta=25°C:

Parameter	Symbol	Test Condition	Min.	Typ.	Max.	Unit
Luminous flux	$\phi$	IF=500mA	600	750	800	Lm
Viewing Angle	2 $\theta$ 1/2	IF=500mA		170		deg
Forward Voltage	V <sub>F</sub>	IF=500mA		20.8	24	V
Reverse Current	I <sub>R</sub>	VR=5V			100	uA
Color Rendering Index Calculation	Spm	X	0.29		0.32	
	Spm	Y	0.31		0.33	
Correspondingly	CCT	IF=500mA	5000	5500	6500	K

REVISION <b>A</b>	ECN/ECR INFORMATION ECN NO. DATE	TITLE: 10W White Round Planar LED	SHEET No. 2 of 3
P/N#: VL-H02W5501080R52	CREATED By	CHECKED By	APPROVED BY



## PRODUCT SPECIFICATION

※Typical Electrical/Optical Characteristics Curve: (25°C Ambient Temperature Unless Otherwise Noted)

Fig1. Relative Intensity vs. Wavelength

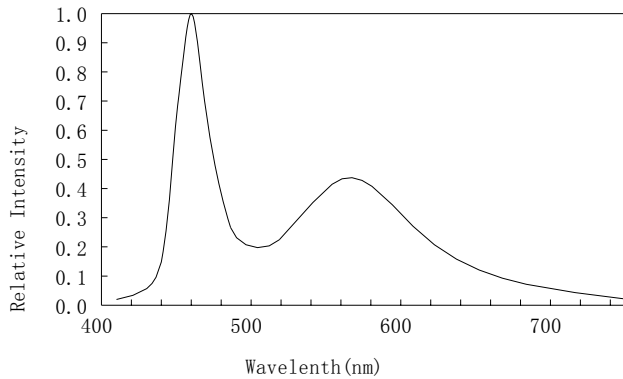


Fig2. Forward Current vs. Forward Voltage

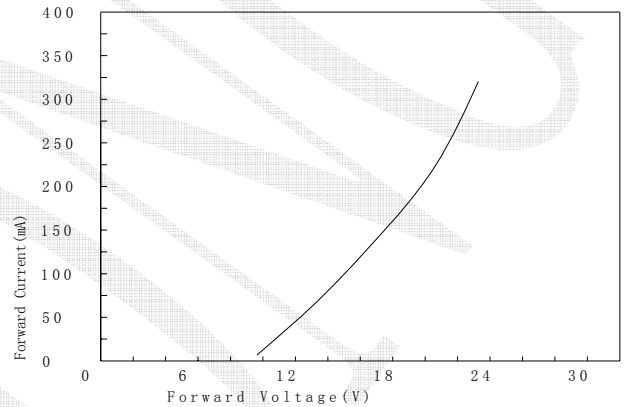


Fig3. Forward Current vs. Relative Intensity

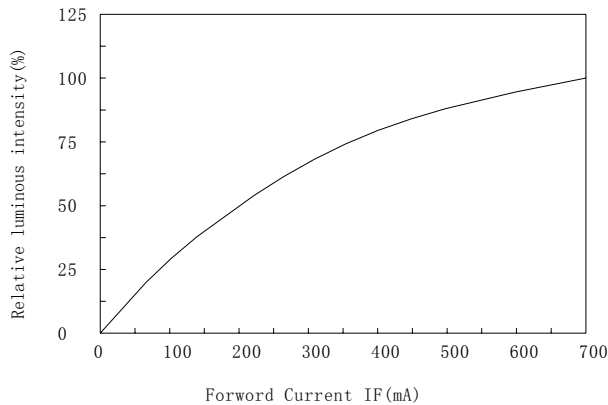
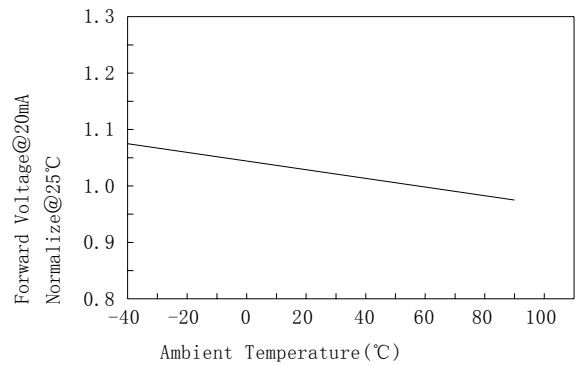


Fig4. Forward Voltage vs. Temperature



### ※Cautions:

Used this products , your may put the POWER LED lose hot chips and touch the lose hot install or enlarge the lose hot condition , so that when the lighting ,the products can lose hot , make sure that the lighting and long lifespan .

REVISION <b>A</b>	ECN/ECR INFORMATION ECN NO. DATE	TITLE: 10W White Round Planar LED	SHEET No. 3 of 3
P/N#: VL-H02W5501080R52	CREATED By	CHECKED By	APPROVED BY